

Closed Loop Hall Current Sensor CYHCS1000K

This Hall Effect current sensor is based on closed loop compensating principle and can be used for measurement of DC and AC current, pulse currents etc. The output of the transducer reflects the real wave of the current carrying conductor.

Product Characteristics	Applications
<ul style="list-style-type: none"> • Excellent accuracy • Very good linearity • Less power consumption • Current overload capability • Goods temperature properties • Easy mounting 	<ul style="list-style-type: none"> • General Purpose Inverters • AC/DC Variable Speed Drivers • Battery Supplied Applications • Uninterruptible Power Supplies (UPS) • Switched Mode Power Supplies • Communication power systems

ELECTRICAL CHARACTERISTICS

Part number	CYHCS300K	CYHCS500K	CYHCS600K	CYHCS800K	CYHCS1000K
Rated current (RMS)	300A DC	500A DC	600A DC	800A DC	1000A DC
Max. input current	0-600A DC	0-750A DC	0-800A DC	0~1000A DC	0~1200A DC
Rated output current	50mA	100mA	100mA	150mA	150mA
Resistance of secondary coil	55 Ω	50 Ω	55 Ω	50 Ω	60 Ω
Measuring resistance	<100 Ω	<80 Ω	<80 Ω	<40 Ω	<30 Ω
Supply voltage	±15V ~ ±18VDC				
Galvanic isolation	6kV RMS/50Hz/1min,				
Di/dt accuracy	≥200A/μs				

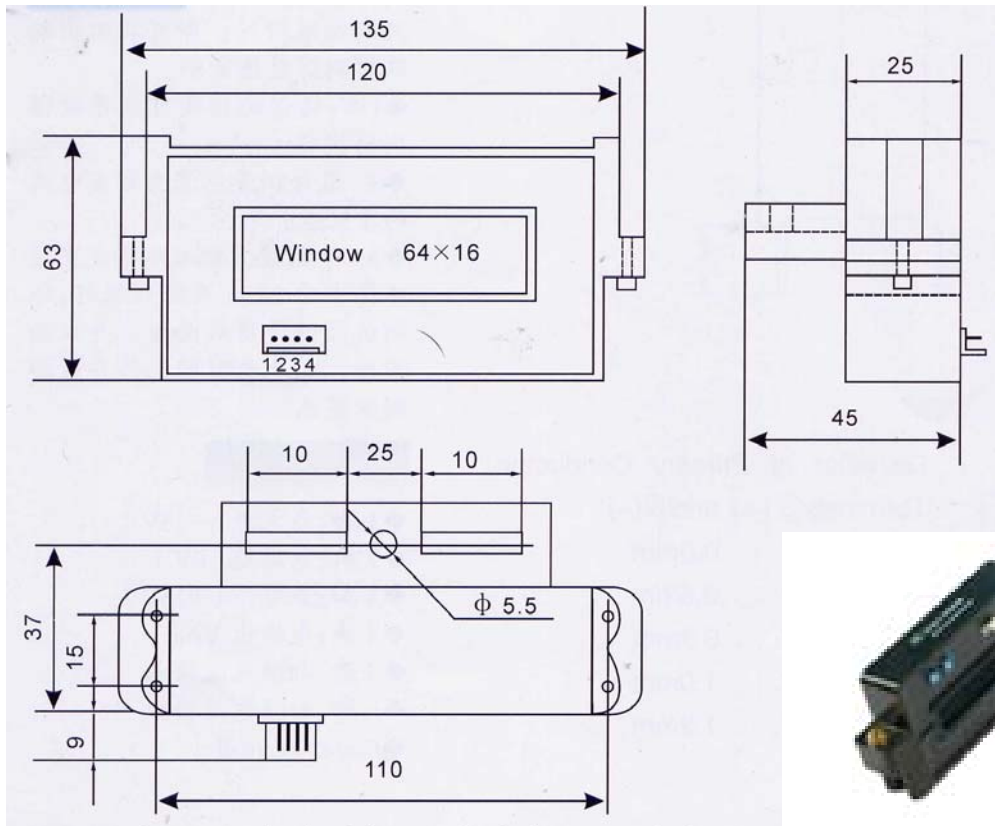
ACCURACY DYNAMIC PERFORMANCE

Zero offset current	±0.5mA
Thermal drift of offset current	0.5mA (-10°C ~ +80°C)
Response time	<1.0μs
Accuracy	±0.5%
Linearity	≤0.2% FS
Bandwidth(-3dB)	DC ~ 150kHz

GENERAL CHARACTERISTIC

Operating temperature	-10°C ~ +80°C
Storage temperature	-25°C ~ +85°C
Current consumption	20mA + output current

Dimensions (mm)



1, 2(Ao): Output, 3(-): -15V, 4(+): +15V

