

Closed Loop Hall Current Sensor CYHCS-D1

This Hall Effect current sensor is based on closed loop compensating principle and can be used for measurement of DC and AC current, pulse currents etc. The output of the transducer reflects the real wave of the current carrying conductor.

Product Characteristics	Applications
<ul style="list-style-type: none">• Excellent accuracy• Very good linearity• Less power consumption• Current overload capability• Goods temperature properties	<ul style="list-style-type: none">• General Purpose Inverters• AC/DC Variable Speed Drivers• Battery Supplied Applications• Uninterruptible Power Supplies (UPS)• Switched Mode Power Supplies

ELECTRICAL CHARACTERISTICS

Part number	CYHCS-D1-50A	CYHCS-D1-100A	CYHCS-D1-200A	CYHCS-D1-300A
Rated current (RMS)	±50A	±100A	±200A	±300A
Max. input current	±100A	±200A	±400A	±450A
Turn ratio	1:1000		1:2000	
Load resistance (at rated current)	≥10kΩ			
Rated output voltage	±4V			
Supply voltage	±12V~ ±15 VDC ±5%			
Galvanic isolation	3kV RMS/50Hz/1min,			

ACCURACY DYNAMIC PERFORMANCE

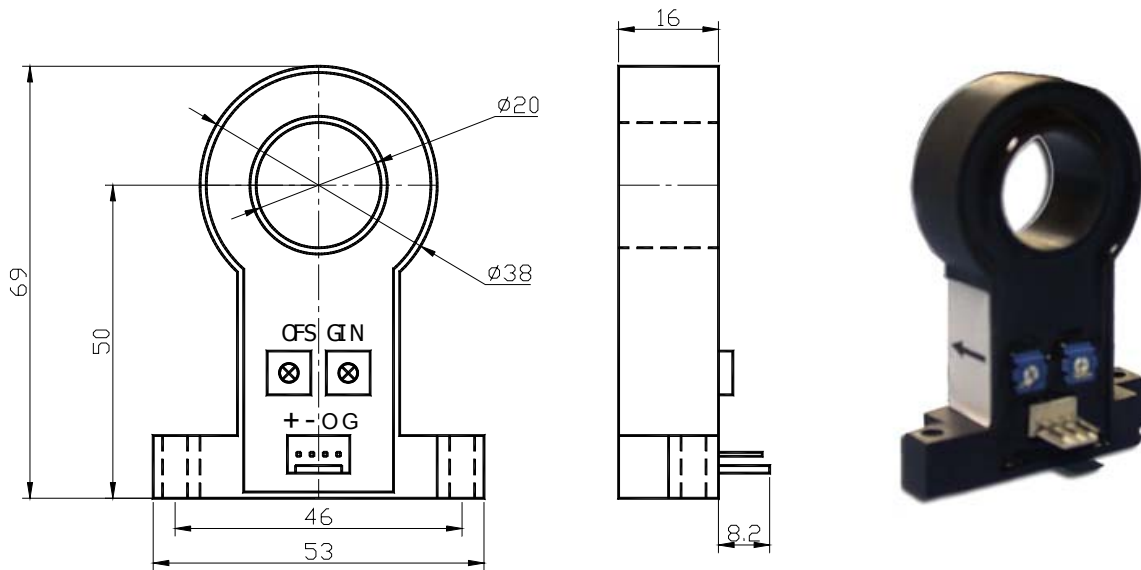
Zero offset voltage	±10mV
Thermal drift of offset current	±0.01%/°C
Thermal drift of output current	±0.02%/°C
Response time	<1.0μs
Accuracy	±0.5%
Linearity	≤0.1% FS
Bandwidth(-3dB)	DC ~ 150kHz

BB AUTOMACAO

GENERAL CHARACTERISTIC

Operating temperature	-25°C~+85°C
Storage temperature	-40°C~+90°C
Current consumption	<14mA

Dimensions (mm)



Terminal +: +15V,
Terminal -: -15V,
Terminal O: Output,
Terminal G: ground