

Closed Loop Hall Current Sensor CYHCS-B7

This Hall Effect current sensor is based on closed loop compensating principle and can be used for measurement of DC and AC current, pulse currents etc. The output of the transducer reflects the real wave of the current carrying conductor.

Product Characteristics	Applications
<ul style="list-style-type: none"> • Excellent accuracy • Very good linearity • Small size and encapsulated • Less power consumption • Current overload capability 	<ul style="list-style-type: none"> • General Purpose Inverters • AC/DC Variable Speed Drivers • Battery Supplied Applications • Uninterruptible Power Supplies • Switched Mode Power Supplies

Electrical Data/Input

Primary Nominal RMS Current I_r (A)	Primary Current Measuring Range I_p (A) at $V_{cc}=15V$	Primary Conductor \varnothing (mm)	Part number
5	± 15	0.8	CYHCS-B7-05A
10	± 30	0.8	CYHCS-B7-10A
15	± 45	0.8	CYHCS-B7-15A
20	± 60	0.8	CYHCS-B7-20A
25	± 75	1.4	CYHCS-B7-25A
30	± 90	1.4	CYHCS-B7-30A
40	± 120	1.6	CYHCS-B7-40A
50	± 150	1.6	CYHCS-B7-50A

Supply Voltage
 Current Consumption
 RMS Voltage for 2.5kV AC isolation test, 50/60Hz, 1min,
 Isolation Resistance at 500V DC

$V_{cc} = \pm 15V \pm 5\%$,
 $I_c < 20mA$
 $V_{is} < 10mA$
 $R_{is} > 500 M\Omega$

Electrical Data/Output

Output Voltage at I_r , $T_A=25^\circ C$:
 Output Impedance:
 Load Resistor:

$V_{out} = 4V$
 $R_{out} < 150\Omega$
 $R_L > 10k\Omega$

Accuracy

Accuracy at I_r , $T_A=25^\circ C$ (without offset),
 Linearity from 0 to I_r , $T_A=25^\circ C$,
 Electric Offset Voltage, $T_A=25^\circ C$,
 Magnetic Offset Voltage ($I_r \rightarrow 0$)
 Thermal Drift of Offset Voltage,

$X < 1.0\%$
 $E_L < 0.1\% FS$
 $V_{oe} < 40mV$
 $V_{om} < 15mV$
 $V_{ot} < \pm 1mV/^\circ C$

BB AUTOMACAO

Thermal Drift (-10°C to 50°C),
 Response Time at 90% of I_P ($f=1\text{kHz}$)
 Frequency Bandwidth (-3dB),

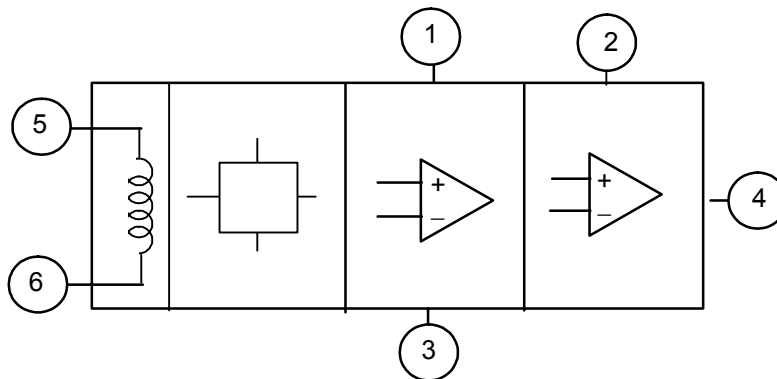
T.C. $< \pm 0.03\% / ^\circ\text{C}$
 $t_r < 1\mu\text{s}$
 $f_b = 50\text{ kHz}$

General Data

Ambient Operating Temperature,
 Ambient Storage Temperature,

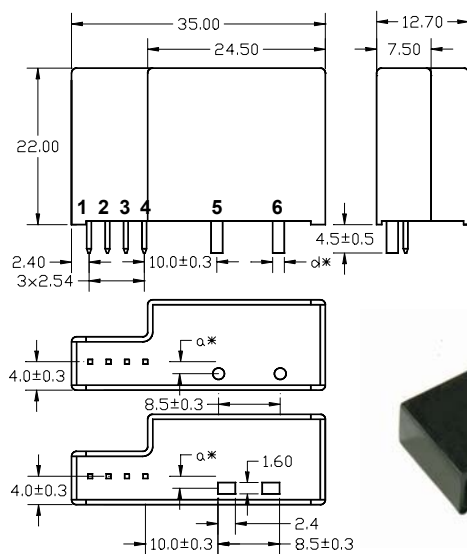
$T_A = -40^\circ\text{C} \sim +85^\circ\text{C}$
 $T_S = -55^\circ\text{C} \sim +125^\circ\text{C}$

Functional Block Diagram



1. V +
2. V -
3. V_{output}
4. Ground
5. Coil Input +
6. Coil Input -

PIN Definition



1. V+
2. V-
3. Output
4. Ground
5. Coil Input +
6. Coil Input -

Primary Conductor Terminal

Part number	a (mm)	d(mm)
CYHCS-B7-05A	1.3	Ø 0.8
CYHCS-B7-10A	1.4	Ø 0.8
CYHCS-B7-15A	1.6	Ø 0.8
CYHCS-B7-20A	1.6	Ø 0.8
CYHCS-B7-25A	1.7	Ø 1.4
CYHCS-B7-30A	1.7	Ø 1.4
CYHCS-B7-40A	1.7	Ø 1.6
CYHCS-B7-50A	1.7	Ø 1.6

